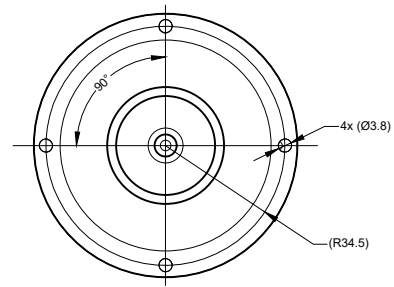
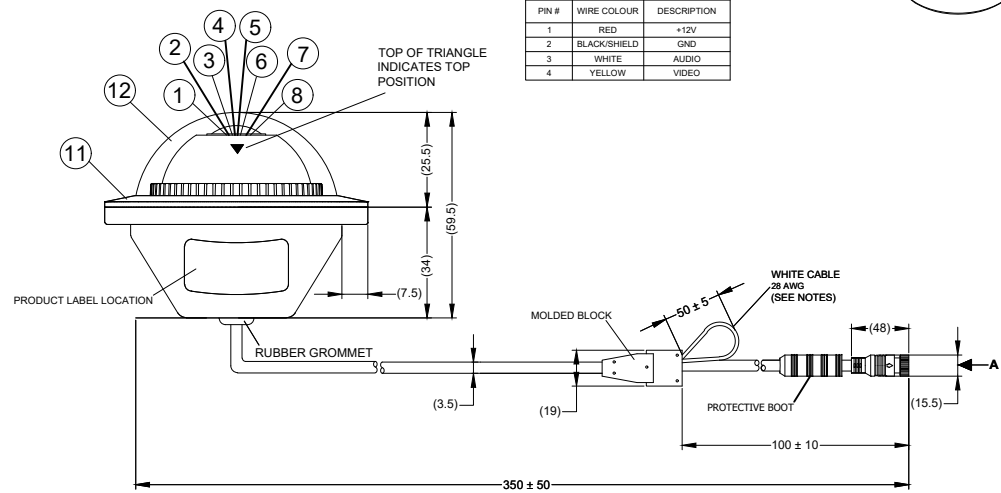
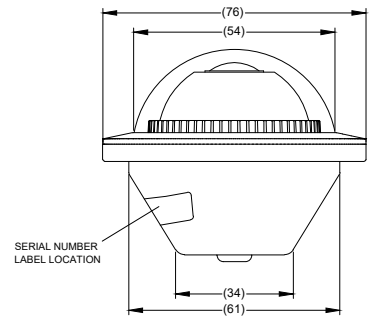
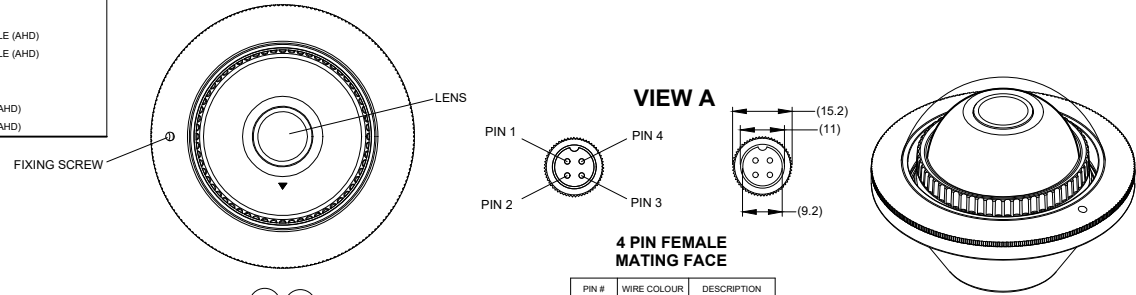


TABLE 1: MD-XX (XX) SERIES CAMERA KIT OPTIONS

PART NO.	MODEL NO.	BRIEF DESCRIPTION
5683	MD-50 (SW)	SELECT CAMERA, MINI DOME CAMERA, SUPER WIDE (PAL)
5686	MD-51 (SW)	SELECT CAMERA, MINI DOME CAMERA, SUPER WIDE (NTSC)
5688	MD-60 (SW)	SELECT CAMERA, MINI DOME CAMERA - 720P / 25FPS, SUPER WIDE ANGLE (AHD)
5690	MD-61 (SW)	SELECT CAMERA, MINI DOME CAMERA - 720P / 30FPS, SUPER WIDE ANGLE (AHD)
5692	MD-50 (W)	SELECT CAMERA, MINI DOME CAMERA, WIDE ANGLE (PAL)
5694	MD-51 (W)	SELECT CAMERA, MINI DOME CAMERA, WIDE ANGLE (NTSC)
5696	MD-60 (W)	SELECT CAMERA, MINI DOME CAMERA - 720P / 25FPS, WIDE ANGLE (AHD)
5698	MD-61 (W)	SELECT CAMERA, MINI DOME CAMERA - 720P / 30FPS, WIDE ANGLE (AHD)

Revision Notes.

APA: -	Drawn: -	Checked: -	Approved: -	Date: -
--------	----------	------------	-------------	---------



NOTES:

- CUT WHITE CABLE FOR MIRROR IMAGE AND INSULATE EXPOSED WIRES.
- REFER TO PRODUCT SPECIFICATIONS FOR TECHNICAL DETAILS.
- CAMERA IS SUPPLIED ASSEMBLED.
- FOR PACKAGING AND LABELING DETAIL REFER TO LATEST REVISION OF THE MASTER BOM.
- PROTECTIVE BOOT TO MAINTAIN IP RATING. SPECIFICATION CONTROLLED BY SUPPLIER.

PROPRIETARY NOTICE

THIS DESIGN AND TECHNICAL INFORMATION APPEARING ON THIS DRAWING IS THE PROPERTY OF BRIGADE ELECTRONICS, AND IS DISCLOSED IN CONFIDENCE. IT IS NOT TO BE COPIED, REPRODUCED, REVEALED TO OR EXPROPRIATED BY OTHERS, EITHER IN WHOLE OR IN PART WITHOUT THE EXPRESS WRITTEN CONSENT OF BRIGADE ELECTRONICS.

**BRIGADE**  
www.brigade-electronics.com

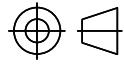
Sheet No  
1 of 2

Assembly Pl Approval C. ZHANG	Approved by S. LAVER	Checked by R. Bates	Drawn by S. Robertson
Angle of Projection 	Units mm	Scale N/A	Released 25/02/19
Third Angle	Status RELEASED	MD-XX (XX) SERIES	
	Part No SEE TABLE 1	BE-003952-00-18	

Revision Notes.				
-				
APA: -	Drawn:-	Checked:-	Approved:-	Date: -

TABLE 2: CAMERA KIT CONTENT

ITEM		①	②	③	④	⑤	⑥	⑦	⑧	⑨	⑩	⑪	⑫	⑬
PART NUMBER		5684	5687	5689	5691	5693	5695	5697	5699	5685	5372	5373	5371	5370
MODEL NUMBER		MD-50 (SW)-C	MD-51 (SW)-C	MD-60 (SW)-C	MD-61 (SW)-C	MD-50 (W)-C	MD-51 (W)-C	MD-60 (W)-C	MD-61 (W)-C	MD-XX (XX)-HG	MD-XX-SR	MD-XX-RR	MD-XX-DOME	MD-XX-FIX
BRIEF DESCRIPTION		SELECT CAMERA, MINI DOME CAMERA, SUPER WIDE (PAL) - CAMERA ONLY	SELECT CAMERA, MINI DOME CAMERA, SUPER WIDE (NTSC) - CAMERA ONLY	SELECT CAMERA, MINI DOME CAMERA - 720P / 25FPS, SUPER WIDE ANGLE (AHD) - CAMERA ONLY	SELECT CAMERA, MINI DOME CAMERA - 720P / 30FPS, SUPER WIDE ANGLE (AHD) - CAMERA ONLY	SELECT CAMERA, MINI DOME CAMERA, WIDE ANGLE (PAL) - CAMERA ONLY	SELECT CAMERA, MINI DOME CAMERA, WIDE ANGLE (NTSC) - CAMERA ONLY	SELECT CAMERA, MINI DOME CAMERA - 720P / 30FPS, WIDE ANGLE (AHD) - CAMERA ONLY	SELECT CAMERA, MINI DOME CAMERA - 720P / 30FPS, WIDE ANGLE (AHD) - CAMERA ONLY	MD-XX SERIES INSTALLATION GUIDE (NOT SHOWN)	MD-XX SERIES CAMERA SECURING RING (NOT SHOWN)	MD-XX SERIES CAMERA RETAINING RING	MD-XX SERIES CAMERA PLASTIC DOME	MD-XX SERIES FIXING PACK (NOT SHOWN)
MD-50	QTY	1	-	-	-	1	-	-	-	-	-	-	-	-
MD-51	QTY	-	1	-	-	-	1	-	-	-	-	-	-	-
MD-60	QTY	-	-	1	-	-	-	1	-	1	1	1	1	1
MD-61	QTY	-	-	-	1	-	-	-	1	-	-	-	-	-

Assembly Pl Approval C. ZHANG		Approved by S. LAVER		Checked by R. Bates		Drawn by S. Robertson	
Sheet No 2 of 2		Angle of Projection		Units mm	Scale N/A	Released 25/02/19	Assembly Ref -
		 Third Angle		Status RELEASED	MD-XX (XX) SERIES		
				Part No SEE TABLE 1	BE-003952-00-18		

**PROPRIETARY NOTICE**  
THIS DESIGN AND TECHNICAL INFORMATION APPEARING ON THIS DRAWING IS THE PROPERTY OF BRIGADE ELECTRONICS, AND IS DISCLOSED IN CONFIDENCE. IT IS NOT TO BE COPIED, REPRODUCED, REVEALED TO OR EXPROPRIATED BY OTHERS, EITHER IN WHOLE OR IN PART WITHOUT THE EXPRESS WRITTEN CONSENT OF BRIGADE ELECTRONICS.

**BRIGADE**  
www.brigade-electronics.com